

FUNCTIONAL SPOT FOR RETAIL AND FASHION STORES

SKADI-ECO

- ✔ Economical and efficient spotlight in proven quality
- ✔ Made of aluminum in a compact design: white, silver-gray or black, with glass cover
- ✔ “Click-fast” connection to Baldur light line with LED drivers concealed in Baldur trunking
- ✔ Version with 3C-adaptor for three circuits lighting track systems available (fits to Nordic Aluminium + Eutrac 3 circuit rail)
- ✔ Available in three light distributions, narrow beam (15°), medium beam (24°) wide beam (42°)
- ✔ Up to 3200 lm light flux, up to 107 lm/W efficacy





GENERAL SPECIFICATIONS

Optics	NB, Narrow beam (15°)		MB, Medium beam (24°)		WB, Wide beam (42°)	
Colour temperature	840 4000 K	930 3000 K	840 4000 K	930 3000 K	840 4000 K	930 3000 K
CRI	R _a >80	R _a >90	R _a >80	R _a >90	R _a >80	R _a >90
Luminous flux	1700lm	1300lm	3200lm	2400lm	3200lm	2400lm
System power	18 W	18 W	30W	30W	30W	30W
Luminous efficacy	95 lm/W	72 lm/W	107 lm/W	80 lm/W	107 lm/W	80 lm/W
Lifetime	50,000 hours, lumen maintenance of 80%					
Operating temperature	- 20° C to + 30° C					
Weight	1,6 kg (1x Skadi on Baldur); 2,4 kg (2x Skadi on Baldur)					
Certification	CE					

ELECTRICAL SPECIFICATIONS

Driver	STD standard
Input voltage	230 V, 50 Hz
LED module	COB (chip on board)
PF, THD	0,95; Harmonic content of mains current according to EN 61000-3-2
Surge protection	Against input overvoltages from mains (according to EN61547) up to 2KV L-N, 2KV N-GND, 4KV L-GND

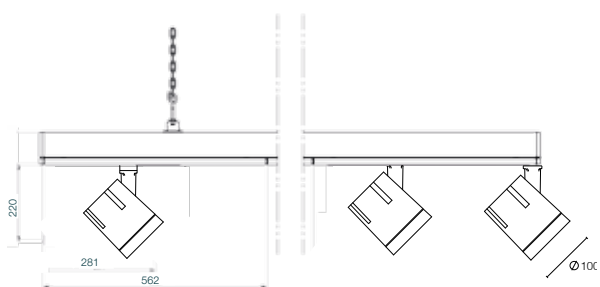
COMPLIMENTARY SPECIFICATIONS

Housing material / colour	Aluminium housing white (RAL9016), black (RAL9005) or silver (RAL9006)
Reflector	Aluminium reflector, glass cover
Swiveling angle	355°
Compatibility	Skadi 3C spot is compatible with leading 3C rails from Eutrac and Nordic

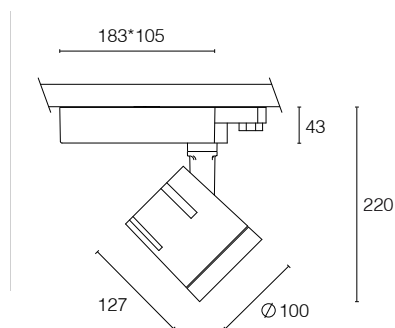
DIMENSIONAL DRAWING

All measures in millimeter

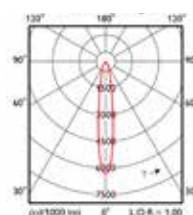
Skadi-Eco on Baldur



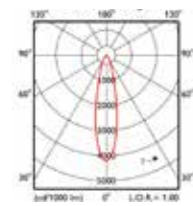
Skadi-Eco 3C - STD



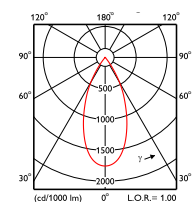
LIGHT DISTRIBUTION



NB, Narrow beam (15°)



MB, Medium beam (24°)



WB, Wide beam (42°)

PREFERRED SELECTION

SKADI ECO WITH 3C-ADAPTER FOR THREE CIRCUIT LIGHTING TRACK SYSTEMS (3C SYSTEMS)

Type	System power (W)	Luminous flux (lm)	Luminous- efficacy (lm/W)	Colour temperature (K)	CRI (R _a)	Order number
SKADI ECO 3C 2400LM 930 STD MB WH	30	2400	80	3000	>90	62001129
SKADI ECO 3C 2400LM 930 STD WB WH	30	2400	80	3000	>90	62001135
SKADI ECO 3C 3200LM 840 STD MB WH	30	3200	107	4000	>80	62001126
SKADI ECO 3C 3200LM 840 STD WB WH	30	3200	107	4000	>80	62001132

SKADI ECO WITH CLICK-FAST FOR LIGHT LINE SYSTEM BALDUR

Type	System power (W)	Luminous flux (lm)	Luminous- efficacy (lm/W)	Colour temperature (K)	CRI (R _a)	Order number
BALDUR 1XSK-E 2400LM 930 STD MB WH L562	30	2400	80	3000	>90	2005697
BALDUR 1XSK-E 2400LM 930 STD WB WH L562	30	2400	80	3000	>90	2005704
BALDUR 1XSK-E 3200LM 840 STD MB WH L562	30	3200	107	4000	>80	2005701
BALDUR 1XSK-E 3200LM 840 STD WB WH L562	30	3200	107	4000	>80	2005707